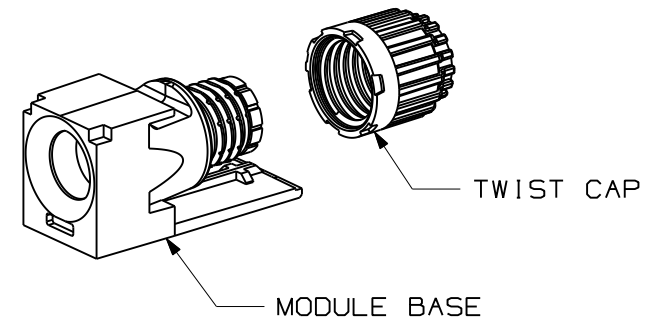
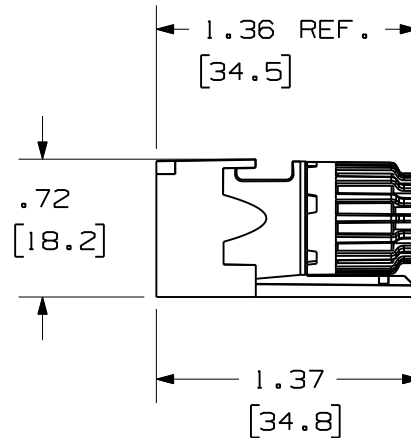
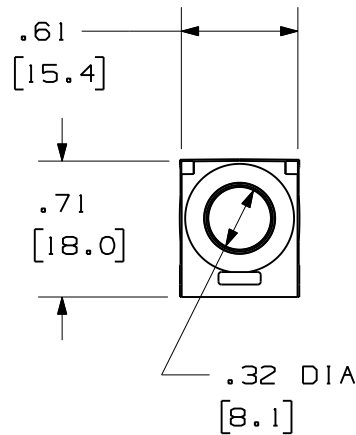
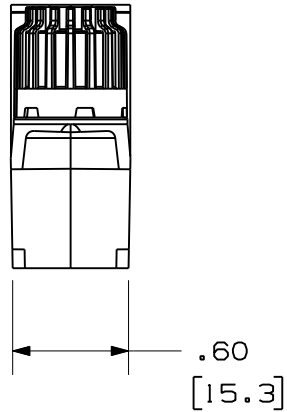

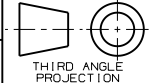


THIS COPY IS PROVIDED ON A RESTRICTED BASIS AND IS NOT TO BE USED IN ANY WAY DETRIMENTAL TO THE INTERESTS OF PANDUIT CORP.

NOTES:

1. SEE CURRENT CATALOG FOR PART NUMBER SUFFIXES TO INDICATE COLOR OF MODULE BASE, AND/OR PACKAGE QUANTITIES.
2. SEE CATALOG FOR COMPLETE LIST OF PARTS APPLICABLE FOR USE WITH THIS PART.
3. MATERIALS:
 - A. MODULE BASE: POLYCARBONATE
 - B. TWIST CAP: POLYCARBONATE
 - C. ALL MATERIALS AND COMPONENTS USED MEET THE MATERIAL RESTRICTIONS OF RoHS, (EUROPEAN DIRECTIVE 2002/95/EC ON THE RESTRICTION OF HAZARDOUS SUBSTANCES) AS PROPOSED BY THE RoHS TECHNICAL ADAPTATION COMMITTEE.
4. COMPATIBLE WITH CABLE DIAMETERS (WITH STRENGTH MEMBERS) UP TO .31 [8mm].
5. DIMENSIONS IN BRACKETS ARE METRIC [mm]



										MINI-COM CABLE STRAIN RELIEF MODULE CUSTOMER DRAWING		
										 PANDUIT TM CORP. TINLEY PARK, ILL 60477		
										 THIRD ANGLE PROJECTION		
										ALL DIMENSIONS ARE GIVEN IN INCHES UNLESS OTHERWISE SPECIFIED. DIMENSIONAL TOLERANCES ARE: (.X) ±.010 (0.3) (.XX) ±.03 (0.8) ANGLES		
										DRAWING FILENAME M02785AE_DC_01A.prt		
										SCALE NONE		
										PART NO. CMCSR**		
R	10-08-07	MC	TJK	RELEASED TO PRODUCTION	02785-01	TJK	TJK			DATE 05-31-07	DRAWING NO. 02785-01	SIZE A
REV	DATE	BY	CHK	DESCRIPTION	ECN	R	CUST	SUP	OTH	CHK'D TJS		